

T4108  
T4512  
T5522  
T6025



**WEIDEMANN**

T4108  
T4512  
T5522  
T6025



**The compact telehandler.**

Aim high with optimal stability.

The compact Weidemann telehandlers are unique in the combination of lift height, width and machine capacity. With the all-wheel drive, you are absolutely stable and well-equipped for many different tasks. Those who drive a Weidemann telehandler simply will no longer give it up.



Your new multi-talent.

Every centimetre sensibly used.  
Every detail optimised.

# T4108 T4512

**Firm connection of man and machine.** Canopy, pulled down windows and a suspended comfort seat provide overview and safety. And a joystick instead of a confusing lever.

**Tailor-made for indoor livestock work.** With 1.90 metres of clearance height and 1.41 metres of width, the T4108 can develop its full capacity in confined spaces as well. Also in this regard: A true Weidemann.

**A drive for more flexibility.** Hydrostatic all-wheel drive, an inner radius of only 595 mm and a speed of up to 17 km/h: that provides mobility and manoeuvrability.



**A telehandler that is also a Hoftrac®.** With a maximum lift height of up to 4.5 metres and a payload of 1,200 kg, it can move a great deal and lift a lot. The Weidemann quick-change system for the attachments makes it particularly versatile.

**Many active sources of power.** Power take-off, 3-point rear hydraulics and high flow power (optional) for the little bit extra in hydraulic performance. Everything has its place.

**Traditional values at the bottom.** Compact dimensions, intelligently controlled, comfortably equipped and entirely in the tradition of Weidemann: Established quality designed for the future.



T4108



T4512



T5522



T6025



The telehandler T4512 was awarded the renowned iF product design award 2011 for its functional design quality.

# T4108 T4512

Consistently practical  
in every detail.

The perfect interplay of lift height, width and machine capacity is unique in this form.  
Small, compact and powerful – typical Weidemann!



**Everything at a glance.** With clearly-arranged instruments in the cab and a good view of the attachment.



**With one step,** you can get into the machine's cockpit comfortably. This is made possible by the low entry height.



1

### 1 In one trip,

you can conveniently and safely bring the T4108 / T4512 with attachments on a trailer to the site of application.

### 2 With one hand

you can control all of the machine's functions and movements via the joystick.

### T4108 and T4512 factors:

- Ideal ratio of lift height, width and machine capacity.
- Extremely small turning radii.
- Easy to transport.
- Good working ergonomics and clearly-arranged instruments.



2

# Concentrated Weidemann power with the all-rounder of the premium class.

# T5522 T6025

**Ideal for indoor livestock work.** With a total height of less than 1.95 metres and with 1.80 metres of loader width, the T5522 is an ideal (indoor) all-rounder.

**Good serviceability:** The engine hood can be folded up and completely removed if necessary.

**The cab: compact, but not tight.** The adjustability of the steering column and seat as well as the convenient control via the joystick make work easier.



**Lift 2.5 tonnes of payload nearly 6 metres high.** With this power rating, this machine is recommended for your loading and transport work.

**Three types of steering (optional) and a high level of manoeuvrability.** This is movability of the premium class – and always working from the ideal position ensures maximum productivity.

**Low centre of gravity for maximum stability (against collapse, tilting, sliding).** Whether stable work or transporting straw bales across uneven terrain – the T6025 is and remains on the ground. In every situation.



T4108



T4512



T5522



T6025

# T5522

## T6025

**Movability is strength:**  
The new force in your operation simply moves more.

Powerful and economic motorisations – with these telehandlers, you are well-equipped in every situation.



**More spaciousness** in a cab, that was designed and developed according to the latest findings in safety technology and ergonomics.

**Great freedom of movement** and legroom thanks to the adjustable steering column and adjustable driver's seat.



### 1 – 3 Three types of steering (optional) for top performance from the best position.

All-wheel steering: full manoeuvrability and power development in the smallest area.

Front drum steering: for safe driving at higher speeds.

Crab steer: for ultra-precise manoeuvring in tight spaces.

### 4 Perfect control

from machine and functions to a joystick of the latest generation.

The innovative joystick with illuminated switches creates multi-functionality:

- Lifting and lowering
- Fill and empty shovel
- Motion direction change
- Telescoping in and out
- Operation of the third control circuit
- Operation of the differential lock

### Factors of the T5522 and T6025:

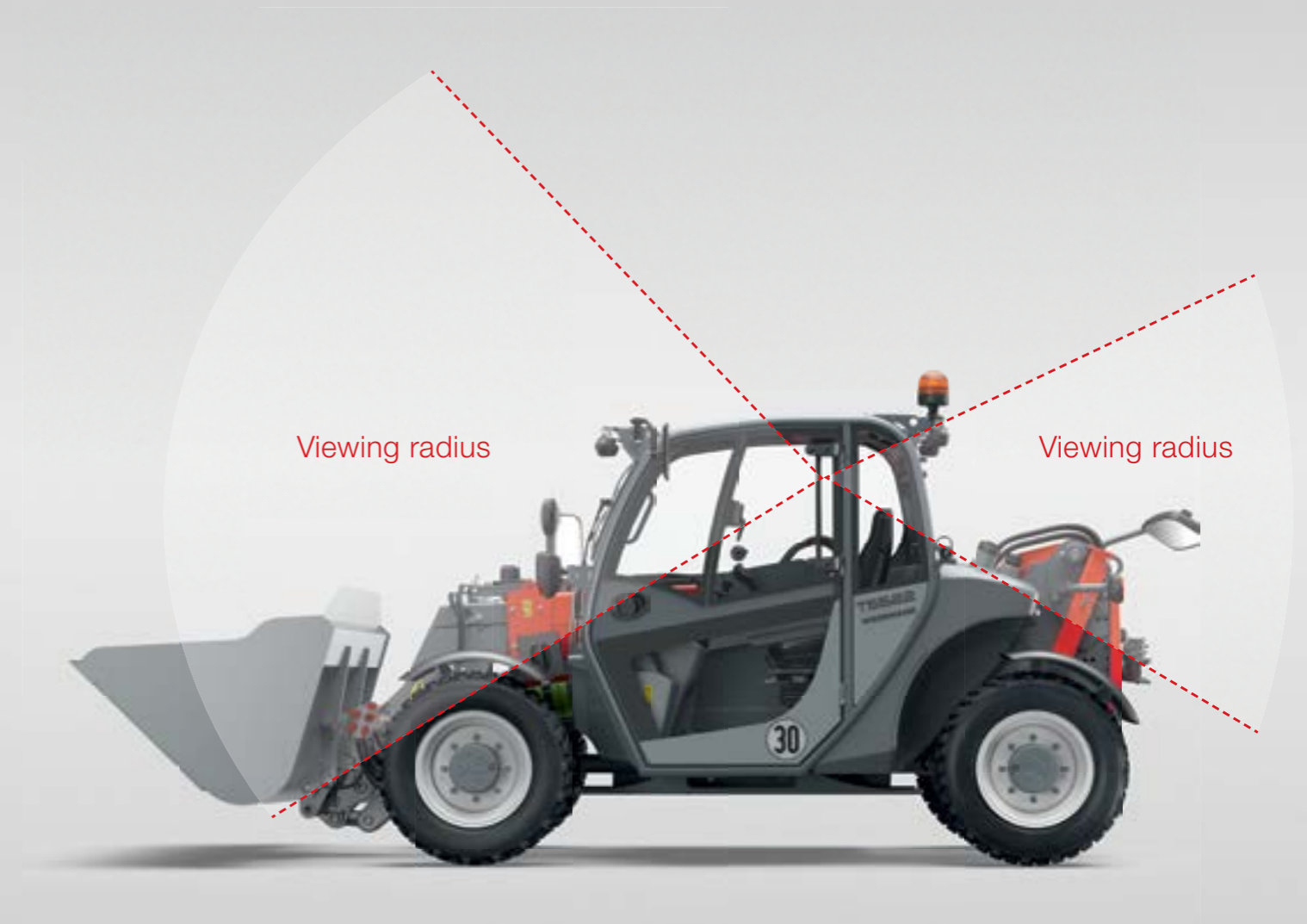
- Power machines in the 2 x 2-metre class.
- Three types of steering (optional).
- Optimised ratio of lift height, width and machine capacity.
- Spacious cab with ample legroom.



## The new sovereignty: Everything in view. Everything under control.

The love of the technical solution makes the machine.  
And the excitement of working with the machine creates the result.

The compact telehandler from Weidemann is strong and quick. And they are built around the person so that he can use them efficiently and safely in every situation. The perfect all-round view, the practical layout of the operator's controls and the easy access to the maintenance points make the difference.



### 1 Simplicity in service.

The engine hoods of the telehandlers T4108, T5522 and T6025 are opened wide and automatically by using gas compression springs. An added convenience for everyday use.

### 2 Practical serviceability.

The engine hood of the T4512 is easy to open and can also be removed with simple handles. This provides open access to the important components for all maintenance jobs.

### 3 Full overview as a standard.

An unobstructed view of the add-on equipment and of the working area makes it easier to concentrate on the essentials and enhances safety.



# Versatility that convinces. Manoeuvrable, powerful, versatile.

The compact telehandlers provide a new style of working, which simultaneously stands for efficiency and joy of working.

All telehandlers in our series, whether the small T4108 or the large T6025, have particularly small inside radii. The manoeuvrability achieved in this way makes it into an all-rounder on every application site. The fast and easy to handle tool holding fixture also allows for fast and changing work cycles and highlights the multi-functionality of the machines.



## INSIDE RADII

T4108	595 mm
T4512	821 mm
T5522	1,193 mm
T6025	1,700 mm

### 1 Our compact telehandlers

are ideal for applications in the smallest space and narrow passages.

### 2 Powerful and stable at the same time,

loading and lifting work can be taken care of accurately.

### 3 Simply drive up to the add-on equipment

hitch it up hydraulically from your seat and safely unlock or lock it with a clear line of sight.





## The new intelligence: The driver assist system vls (Vertical Lift System)

### Certainly a better work flow.

The vls (Vertical Lift System) has already been well-proven in the field of agriculture – our innovation has won several (also international) awards, including the silver DLG Innovation Award in 2011, the EIMA Technical Innovation Prize in 2012 and the Equitana Innovation Award in 2013. These awards show us how important the topic of safety is viewed and valued.

The vls (Vertical Lift System) makes a fluid working principle possible and, through a partially-automated telescoping movement, supports the work in a complex operating environment. Due to the nearly vertical lifting or lowering movement, the stability of the machine is improved.

The fluid working principle, the avoidance of a reduced lowering speed for safety reasons and the facilitated machine operation increase the handling capacity of the machine. Experienced operators can work even faster and more safely with the vls. Inexperienced operators receive valuable support for lifting and loading work.

The vls function takes effect when lifting and lowering with the telehandlers T4108, T4512 and T5522. With the T6025, the vls was realised with the lowering function for safety reasons.



State of the art. The machine reaches its tipping limit when simply lowering.

Driver assist system vls. Nearly vertical movement. Hardly any load torque shift in the longitudinal direction of the machine.

### Award winning!



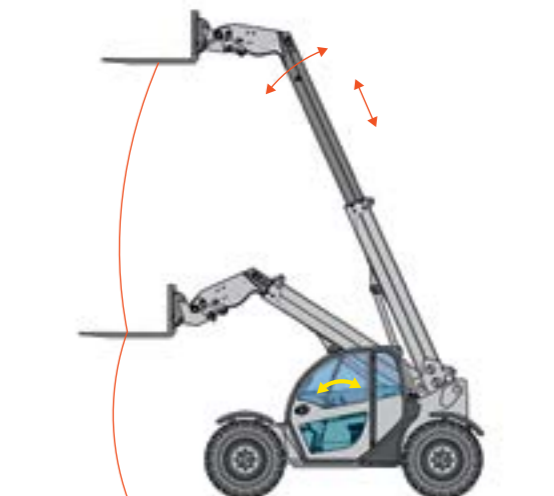
Silver DLG Innovation Award



EIMA Technical Innovation Prize



EQUITANA Innovation Award



— Operating input — Loading system response



In use daily:  
Performance cannot be any more convincing.



# Your Weidemann telehandler: Individually fitted. Built to be tailored-to-suit.

With Weidemann, you are on the safe side – we offer you our telehandlers already with good, comprehensive and sturdy standard equipment. In addition, with our different options, you can assemble your machine in terms of drive, tires, hydraulics and the operator's cab so that it is one-hundred per cent tailored to you, your business and your work tasks.

T4108



T4512



T5522



T6025



	T4108	T4512	T5522	T6025
<b>SERIES EQUIPMENT AND OPTIONS</b>				
<b>DRIVE</b>				
Hydrostatic all-wheel drive	●	●	●	●
100% differential lock, electric-hydraulically connectable on front and rear axle	○	○	○	○
Travel speed 0 - 17 km/h	●	-	-	-
Travel speed 0 - 20 km/h	-	●	●	●
Speed increase to 30 km/h	-	-	○	○
<b>TIRES (for more, see p.25)</b>				
Tires 27 x 10.0 - 15 AS ET20	●	-	-	-
Tires 10.0 / 75 - 15.3 AS ET -40	-	●	-	-
Tires 10.5 / 80 - 18 AS ET0	-	-	●	-
Tires 12.5 - 18 MPT-04	-	-	-	●
<b>HYDRAULICS</b>				
3rd control circuit front, DN10	●	●	-	-
3rd control circuit front, proportionally via joystick	-	-	●	●
3rd control circuit comfort, via touch button on joystick	○	○	-	-
4th control circuit, electrically double-acting	-	-	●	●
High Flow single-acting	-	○	○	-
Pressureless reverse travel	○	○	○	○
Engine pre-heating + hydraulic oil 230 V	○	○	○	○
Three-point rear receptacle	-	○	○	-
Power take-off 540 1/min	-	○	○	-
<b>DRIVER'S CAB</b>				
Canopy ROPS and FOPS-tested (right window)	●	●	-	-
Front window with washer	○	○	●	●
Rear window	○	○	●	●
Cab with heating, ventilation and windscreen wiper ROPS and FOPS-tested (fully glazed)	○	○	●	●
Working light mounted to the operator's cab	○	○	●	●
LED working light	○	○	○	-
Comfort seat with seat belt	●	●	●	●
Komfortsitz mit Sicherheitsgurt luftgefedert	○	○	○	○
Heated seat	○	○	○	○
Fuel gauge	●	●	●	●
Operating hour meter	●	●	●	●
Lighting equipment according to StVZO	○	○	○	○
TÜ-expert's report for road operation	○	○	○	○
<b>OTHER</b>				
vls (Vertical Lift System)	●	●	●	●
Load swing dampening	-	-	○	○
Battery isolator switch	●	●	●	●
Fully automatic central lubrication unit	○	○	○	○
Mechanical quick-change system for attachments	●	●	●	●
Hydraulic quick-change system for attachments	○	○	○	○

- Series
- Option
- Not possible



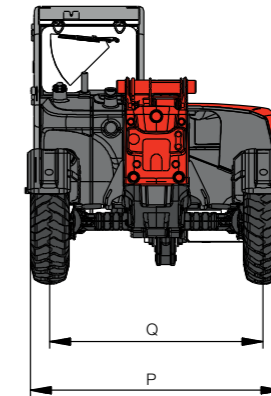
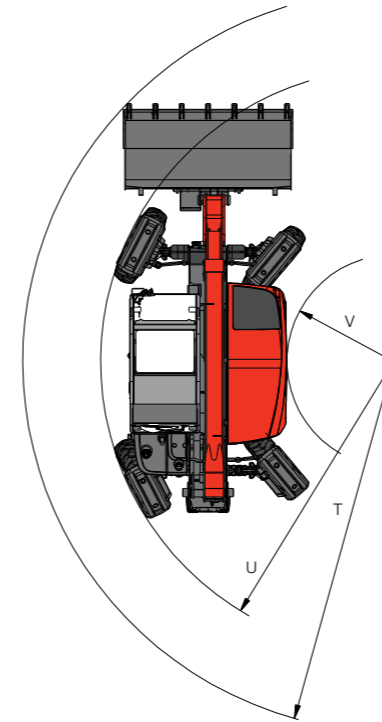
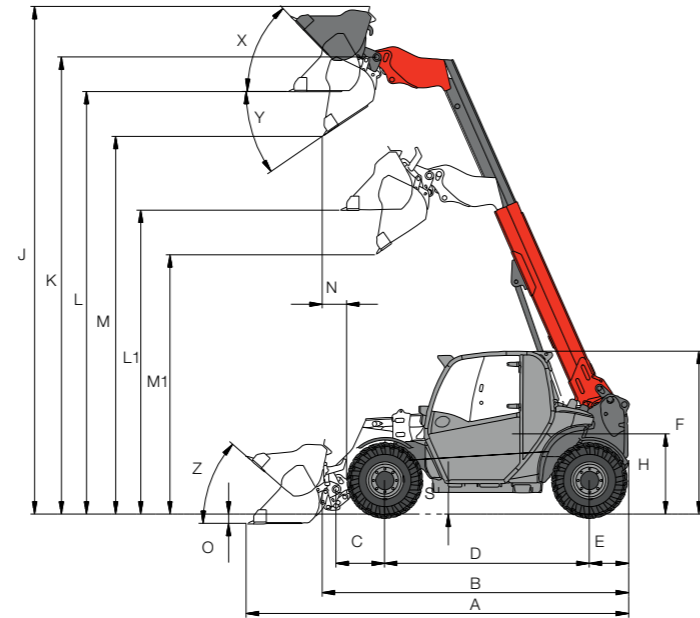
## Technical data.

	T4108	T4512	T5522	T6025
<b>TECHNICAL DATA</b>				
<b>ENGINE DATA</b>				
Manufacturer	Yanmar	Yanmar	Perkins	Deutz
Type of engine (optional)	3TNV76	3TNV82A (3TNV84T)	404D-22 (404F-22T)*	TD 2009 L04
Cylinders	3	3	4	4
Prime output kW/hp (optional)	19.2/26	22.6/31 (29.6/40)	36.3 /49 (44.7/61)	50/68
with rpm	3,000	2,800	2,800	2,800
Displacement cm <sup>3</sup>	1,116	1,496	2,216	2,290
Cooling	Water	Water	Water	Water
<b>ELECTRIC SYSTEM</b>				
Operating voltage V	12	12	12	12
Battery Ah	77	77	77	74
Alternator A	55	55	85	80
<b>WEIGHTS</b>				
Operating weight (standard) kg	2,270	2,700	4,200	5,055
Max. payload kg	800	1,200	2,200	2,500
<b>VEHICLE DATA</b>				
Driver's cab (optional)	FSD (cab)	FSD (cab)	Cab	Cab
Axle	PAL 1155	PAL 1155	PAL 1530	Planetary steering axle
Travel speed (optional) km/h	0-17	0-20	0-20 (30)	0-20 (30)
Further drive stages (optional)	2	2	2	2
Fuel tank capacity l	39	25	70	100
Hydraulic oil tank capacity l	40	40	55	75.5
Total swing angle of the tool carrier °	148	148	144	150
Total oscillating angle °	14	14	16	20
Max. steering lock °	2x38	2x38	2x40	2x38
Lift cylinder lifting/lowering sec	5.0/3.6	6.1/4.8	6.2/4.2	6/4.1
Extension cylinder extension/retraction sec	3.5/1.9	4.9/3.9	5.1/2.5	5.6/4.9
Tilting cylinder tilting in/tilting out sec	2.3/1.7	2.6/2.3	3.1/2.2	2.9/2.5
<b>DRIVING HYDRAULICS</b>				
Working pressure bar	330	360	450	450
Working hydraulics				
Discharge volume (optional) l/min	33	42 (75)	70 (106)	89
Working pressure bar	220	220	240	240
<b>DRIVE</b>				
Type of drive	Hydrostatic	Hydrostatic	Hydrostatic	Hydrostatic
Drive	Universal joint shaft	Universal joint shaft	Universal joint shaft	Universal joint shaft
<b>NOISE CHARACTERISTIC VALUES</b>				
Guaranteed sound power level LwA dB (A)	103	101	103	104
Specified sound pressure level LpA dB (A)	84	84	82	80

\*With engine technology according to exhaust emission stage IIIB.

Second values measures without vls  
FSD = Canopy

# Dimensions.



T4108      T4512      T5522      T6025

## DIMENSIONS

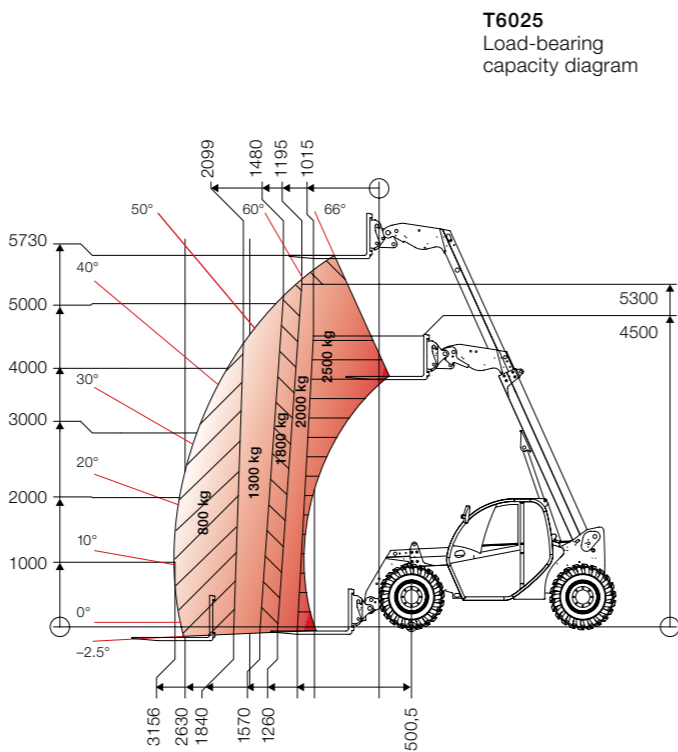
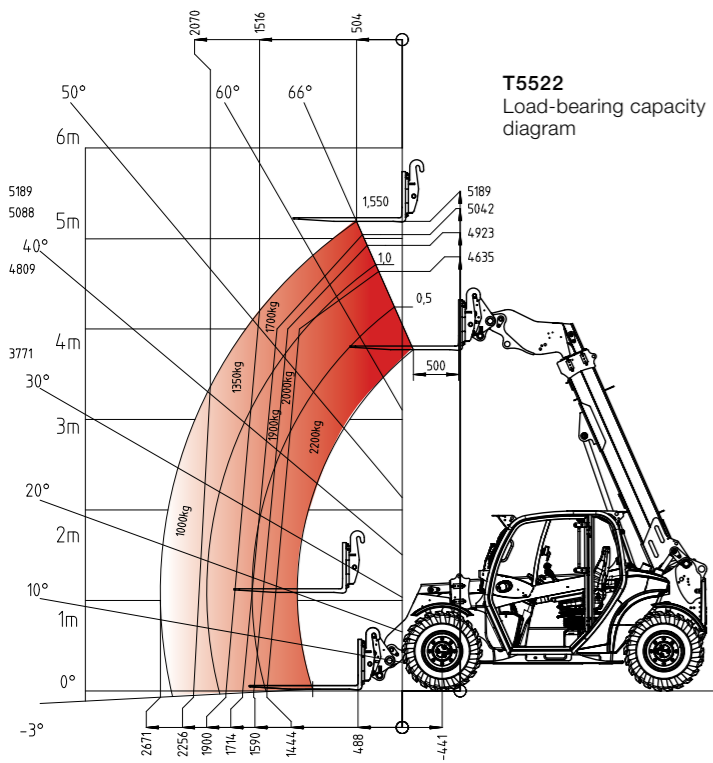
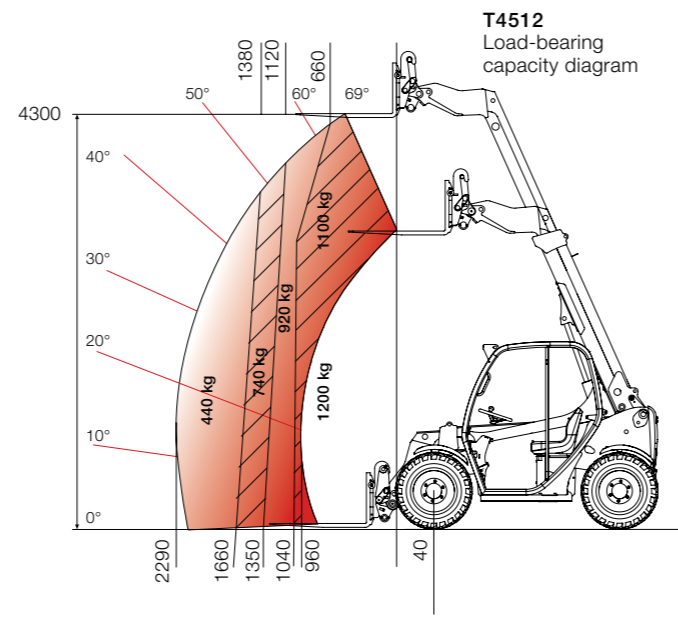
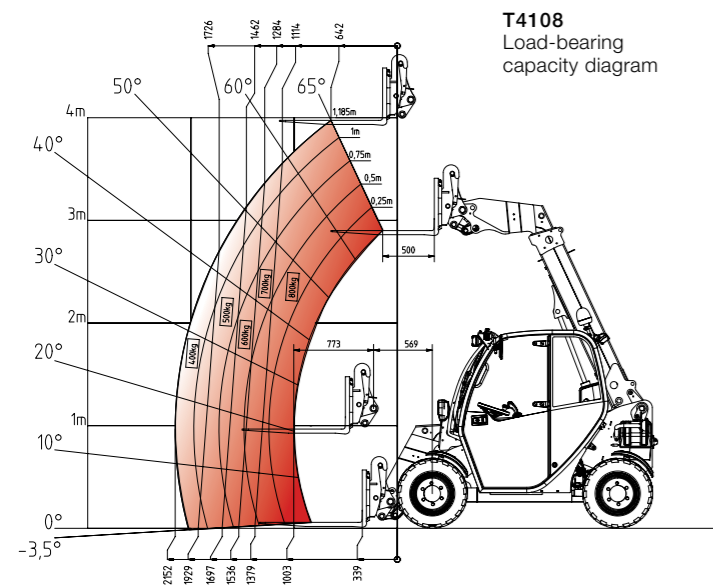
Standard light cargo bucket mm	1,450	1,600	1,900	2,100
<b>A</b> Total length mm	3,554	3,879	4,576	4,958
<b>B</b> Total length without bucket mm	2,717	2,916	3,747	4,300
<b>C</b> Axle centre to bucket pivotal point mm	406	425	581	1,030
<b>D</b> Distance between rear wheels mm	1,796	1,920	2,449	2,650
<b>E</b> Rear overhang mm	343	391	472	620
<b>F</b> Height with cab mm	1,900	1,940 (1,960)	1,950	1,980
<b>H</b> Seat height mm	914	974	962	1,025
<b>J</b> Total working height mm	4,737	5,211	6,074	6,580
<b>K</b> Max. height of bucket pivotal point mm	4,145	4,503 (4,523)	5,471	6,080
<b>L1</b> Overhead loading height of telescopic boom retracted mm	2,725	2,909 (2,929)	3,638	3,730
<b>L</b> Overhead loading height of telescopic boom extended mm	3,799	4,123 (4,143)	5,056	5,600
<b>M1</b> Dumping height of telescopic boom retracted mm	2,244	2,375 (2,395)	3,103	3,450
<b>M</b> Dumping height of telescopic boom extended mm	3,318	3,589 (3,609)	4,520	5,280
<b>N</b> Coverage with M mm	533	543	293	680
<b>O</b> Scraping depth mm	114	92	111	150
<b>P</b> Total width mm	1,413	1,560	1,808	1,960
<b>Q</b> Track width mm	1,252	1,296	1,530	1,660
<b>S</b> Ground clearance mm	223	290 (310)	256	250
<b>T</b> Maximum radius outside mm	3,034	3,398	4,153	4,500
<b>U</b> Radius on outer edge mm	2,227	2,607	3,281	3,670
<b>V</b> Inside radius mm	595	821	1,193	1,700
<b>X</b> Rollback angle at max. lift height °	52	52	46.5	45
<b>Y</b> Max. dumping angle °	32	31	34.5	40
<b>Z</b> Rollback angle on bottom °	44	44	41	45

## WIDTHS / TURNED mm

<b>27 x 10.0 - 15 AS ET20</b>	1,413*	-	-	-
<b>27 x 8.5 - 15 EM ET-10</b>	1,412	-	-	-
<b>27 x 10.5 - 15 EM ET18</b>	1,400	-	-	-
<b>10.0 / 75 - 15.3 AS ET-40</b>	-	1,560*	-	-
<b>31 x 15.5 - 15 AS ET0</b>	-	1,560	-	-
<b>10 x 16.5 EM ET-40</b>	-	1,560	-	-
<b>31 x 13 - 15 RP ET0</b>	-	1,560	-	-
<b>10.5 / 80 - 18 AS ET0</b>	-	-	1,808*	-
<b>325 / 70-18 AS ET0</b>	-	-	1,860	-
<b>425 / 50 - 18 AS ET36</b>	-	-	1,874	-
<b>15.5 / 55 - 18 EM ET50</b>	-	-	1,800	-
<b>12.0 / 75 - 18 MPT ET0</b>	-	-	1,830	-
<b>12.5 - 18 MPT04</b>	-	-	-	1,960*
<b>Michelin 400 / 70 R20 XMCL- traction profile</b>	-	-	-	2,032
<b>Michelin 335 / 80 R18 XZSL - industry profile</b>	-	-	-	1,995
<b>Mitas 14.5 - 20 MPT-04 - construction machine profile</b>	-	-	-	1,955
<b>Mitas 12.5 - 20 MPT-01 traction profile</b>	-	-	-	1,925
<b>Mitas 405 / 70 - 20 MPT 01 - traction profile</b>	-	-	-	2,030

T4108      T4512      T5522      T6025

## Load-bearing capacity diagrams.



## Vibration characteristic values.

Typical operating conditions	Mean value			Standard deviation (s)		
	$1,4 \cdot a_{w,eqx}$ [m/s <sup>2</sup> ]	$1,4 \cdot a_{w,eqy}$ [m/s <sup>2</sup> ]	$a_{w,eqz}$ [m/s <sup>2</sup> ]	$1,4 \cdot s_x$ [m/s <sup>2</sup> ]	$1,4 \cdot s_y$ [m/s <sup>2</sup> ]	$s_z$ [m/s <sup>2</sup> ]
<b>VIBRATIONS</b>						
<b>TYPE OF LOADING</b>						
<b>Compact wheel loader (operating weight &lt; 4,500 kg)</b>						
Load & carry (load and transport work)	0.94	0.86	0.65	0.27	0.29	0.13
<b>Wheel loader (operating weight &gt; 4,500 kg)</b>						
Load & carry (load and transport work)	0.84	0.81	0.52	0.23	0.20	0.14
Application in extraction (harsh application conditions)	1.27	0.79	0.81	0.47	0.31	0.47
Delivery drive	0.76	0.91	0.29	0.33	0.35	0.17
V-operation	0.99	0.84	0.54	0.29	0.32	0.14

### Whole-body vibrations:

- Each machine is equipped with a driver's seat that meets the requirements of EN ISO 7096:2000.
- When the loader is properly used, the whole body vibrations vary from below 0.5 m/s<sup>2</sup> up to a short-term maximum value.
- It is recommended to use the values specified in the table when calculating the vibration values according to ISO/TR 25398:2006. In doing so, the actual application conditions are to be taken into consideration.
- Like wheel loaders, telehandlers are to be classified according to operating weight.

### Hand-arm vibrations (HAV):

- The hand-arm vibrations (HAV) are no more than 2.5 m/s<sup>2</sup>.

All technical information in this brochure refers to the series models tested under Central European operating conditions and describes their standard functions. The outfitting and their operating procedures as well as the accessories depend on each model and the product's options as well as the country-specific requirements of the country of sale. Illustrations may not indicate unmentioned or non-standard products. The descriptions, illustrations, weight information and technical data are non-binding and correspond to the best available technology at the time of printing. We reserve the right to make changes in the area of design, outfitting, look and technology without advance notice due to the ongoing development of the products. If you require special features that are only available by using additional components and/or under special boundary conditions, please contact us! We are happy to answer your questions and give you information regarding whether and under which requirements for the product and environmental conditions special functions can be represented. If you have concerns regarding the load-carrying capacity or the effectiveness of our products due to special conditions, we recommend test runs under controlled boundary conditions. Despite using the utmost care, we cannot rule out deviations of illustrations or dimensions, calculation errors, printing errors or omissions in the brochure. We therefore assume no liability for the accuracy and completeness of our information in this brochure. We guarantee the flawless functionality of our products as a part of our general terms and conditions of business. We generally do not accept any additional guarantees. Any other liability than the liability in our general terms and conditions of business is excluded.

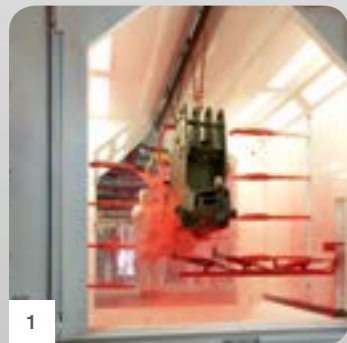
# For us, quality only knows one standard that matters in the end: Your satisfaction in all matters.

For Weidemann, quality is not an empty word, but rather a daily living reality with German attributes. For a true Weidemann comes from one of the most modern wheel and telehandler production facilities. The newly inaugurated plant in 2007 guarantees a consistently high quality of our products. This results in safety, comfort and economic efficiency that you can always count on.

## Quality creates added value.

The powder-coating represents another key feature of the special quality standard at Weidemann. In contrast to the conventional wet painting, it greatly increases the service life and is more efficient and also environmentally friendly in the process.

- 1 High quality powder-coating.
- 2-3 Sophisticated quality control of each machine.



## QUALITY IS GOOD, FINAL INSPECTION IS BETTER

Every Weidemann that leaves our factory was subjected to a careful final inspection. This guarantees a high level of durability and reliability, a high level of operating and repair friendliness and low operating costs right from the start. For only what is labelled Weidemann has Weidemann quality inside as well. You can rest assured of that.

**TRUE WEIDEMANN ORIGINALS ARE MADE PIECE BY PIECE IN THE ULTRA-MODERN FACTORY IN KORBACH.**

A sophisticated production process and a strict inventory management ensure that all parts are in the right place at the right time. The finished Hoftracs®, wheel loaders and telehandlers may only leave the factory after passing the final inspection.



**WACKER NEUSON GROUP PRODUCTION LOCATIONS**

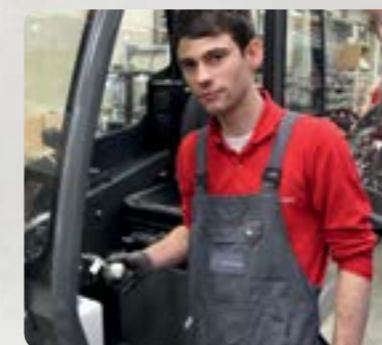
- 1 Milwaukee, USA
- 2 Norton Shores, USA
- 3 Korbach, Germany
- 4 Pfullendorf, Germany
- 5 Reichertshofen, Germany
- 6 Linz, Austria
- 7 Kragujevac, Serbia
- 8 Manila, Philippines



**The value wheel:**  
The customer's success is at our centre.

We win over with the values of a medium-sized, family-owned company that is publicly traded. With the strength and expertise of a globally active organisation. With people who fulfil our motto every day with life and ideas.

We believe in quality, innovation, performance and character. And we believe in the sustainable success of our customers, whom everything ultimately is about.







# WEIDEMANN



**Weidemann GmbH**  
Mühlhäuser Weg 45-49  
34519 Diemelsee-Flechtdorf  
Germany  
Tel. +49(0)5633 609-0  
Fax +49(0)5633 609-666  
info@weidemann.de  
www.weidemann.de