


WEIGHT CLASS  
**15 TONNE**  
| TB2150R |



**TAKEUCHI**  
Japanese for Reliability

# The New TB2150R excavator powerful 15.6 tonne with fixed boom and short tail




The New TB2150R is the largest excavator in the Takeuchi line-up. It features a fixed conventional boom and reduced tail swing providing 15.6 tonnes of powerful excavating performance.

## **MAXIMUM POWER & EFFICIENCY**

The above average breakout force highlights the massive added power of the new TB2150R.

Powered by a Deutz 85 kW engine, the TB2150R meets all the very latest emission standards for environmentally friendly working sites. (EU Stage IV / EPA Tier 4 Emission Compliant). This engine also utilises a DOC + SCR exhaust after treatment system.

Takeuchi excavators are built with proven smooth hydraulic controls and the new TB2150R is no exception, with familiar precision touch-controls that make the Takeuchi an operator's favourite.





### SMOOTH PRECISION HYDRAULICS

The TB2150R enjoys smooth precision hydraulics with excellent joy stick functionality for operators.

With three auxiliary hydraulic circuits as standard, the TB2150R is adequately equipped for all sorts of attachments.

### CONVENTIONAL FIXED BOOM

The fixed boom position to the right of the cab is compact enough for maximum all round visibility, with care taken to position the check valves away from potential site damage.



### MAXIMUM VERSATILITY

The TB2150R features a robust mono boom, available with: a standard 2850mm dipper or optional 2300mm dipper.

The TB2150R is also available as a 2-piece boom option.



Operators enjoy the smooth operation and powerful digging force of a TB2150R. The isolation mounted cab provides all day operating comfort essential for rugged tough terrain and groundwork.

Regarded as a high specification machine with plenty of value added features, owner operator's really appreciate the power, performance and reliability of the TB2150R.

The TB2150R offers a compact track footprint of just 2690 x 3750mm with a short tail swing the TB2150R gets to work in spaces other conventional machines can't go.

With just a 350mm overhang the short tail gains maximum accessibility.

The conventional fixed boom offers increased lifting capacity for the heaviest loads with fast cycle times.

**With a reputation for reliability, Japanese build quality makes all the difference.**

**MAXIMUM OPERATOR COMFORT AND CONTROL**

The stylish and roomy cab with ROPS/TOPS/FOPS minimises vibration and noise, with a heavy-duty roof guard as standard.

With climate control and a large heated adjustable air suspension seat, operator's enjoy maximum all day comfort.

The new-styled interior features a large intuitive multi-function colour display, multi USB charging ports and radio with Bluetooth function.

The top glass with sun shade and front window rain guard improves visibility and reduces glare.

Rear-view and side-view cameras along with 5 all-round mirrors provide maximum 360 all-round visibility.

LED work lights provide excellent illumination in low light conditions - located on the boom, cab, front and rear as standard. The large rear counterweight lights provide added safety along with a motion alarm fitted as standard.

**REDUCED SHORT TAIL**

With a minimum overhang of just 350mm on 700mm steels the TB2150R is a very compact tonne excavator. It gets to work in the most confined spaces.

**PERFORMANCE**

- Automatic step-down travel motors provide torque on demand when pushing, climbing, or turning in high speed mode.
- With auto deceleration and alternative working modes, the TB2150R saves fuel when not required.
- V-rib belt with automatic tensioner reduces maintenance.
- Energy saving hydraulic fan drive for the cooling system.

**OPERATION**

- Pilot operated joystick controls deliver precise responsive operation.
- Hammer, shear, rotate pipe work fitted to the mid arm allows the TB2150R to be a versatile attachment platform where both flows and pressure can be adjusted from the control panel.
- Added cab space allows the operator to be comfortable throughout the workday and the large foot pedals fully support the operator's feet when using the travel function.
- Extensive rear camera allows the operator to view obstacles behind the machine for safety.

**CAPACITIES**

- Maximum Digging Depth 6060mm
- Maximum Dumping Height 7140mm
- Maximum Reach at Ground Level 8665mm
- Maximum Vertical Digging Depth 5545mm
- Maximum Bucket Digging Force 96.3kN
- Maximum Arm Digging Force 60kN

**ROBUST UNDERCARRIAGE**

The TB2150R features a large cast steel wrap-around counterweight designed with an extra strong chassis and under carriage.

The longer track carriage features triple flanged rollers and two carrier rollers.







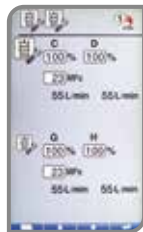
## SERVICEABILITY

The TB2150R is designed for maximum easy servicing for daily routines **all at ground level.**

- Filter access points, centralised grease points and a convenient counterweight access to the oil filter and dipstick.
- Front right access panel provides access to the hydraulic valve chest.
- Right rear panel allows access to the fuel and pilot line filters and hydraulic pumps.
- Left side cover provides excellent access to the DEF tank, dual element air cleaner, batteries and grease gun storage with dedicated compartment for electric refuelling pump with auto shut off. Ad blue points with ad blue warning.
- Exhaust after-treatment system – includes a maintenance free diesel oxidation catalyst (DOC), and a selective catalytic reduction (SCR) with diesel exhaust fluid (DEF) to comply with latest EPA Tier 4 emissions requirements.

Well positioned grip-steps and handle bars provide safe access to service areas at the top of the machine.

- Well positioned enhanced visual display unit - warning indicators, rpm, hour meter, fuel, battery charge, temperature, oil pressure and maintenance alerts.



## OPTIONAL DOZER

The TB2150R dozer blade is available as an easy-fit option.



## TFM - TAKEUCHI FLEET MANAGEMENT

Takeuchi Fleet Management is designed to help you better manage your fleet and lower your overall operating costs.

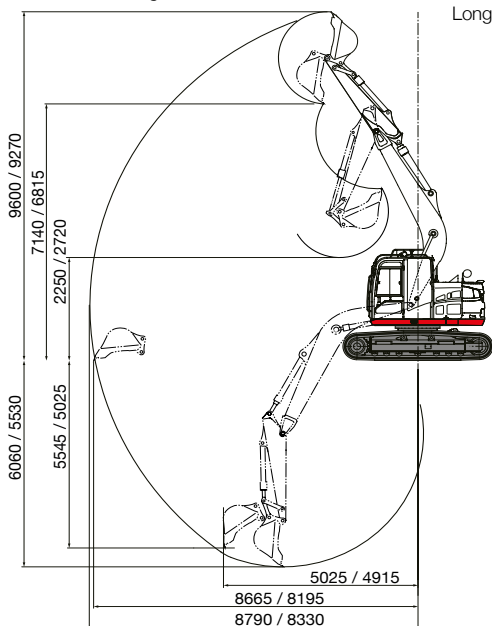


## PROTECT YOUR INVESTMENT

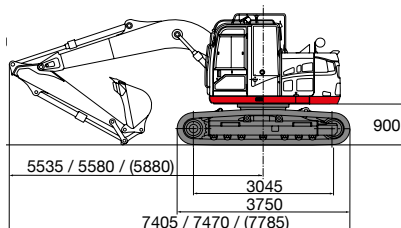
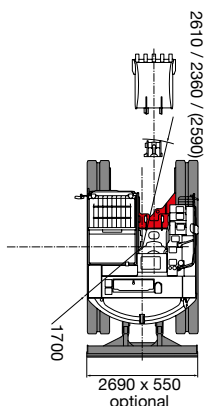
The TB2150R now comes with the TSS **Takeuchi Security System** as standard.



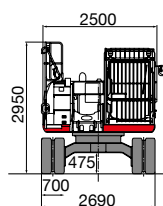
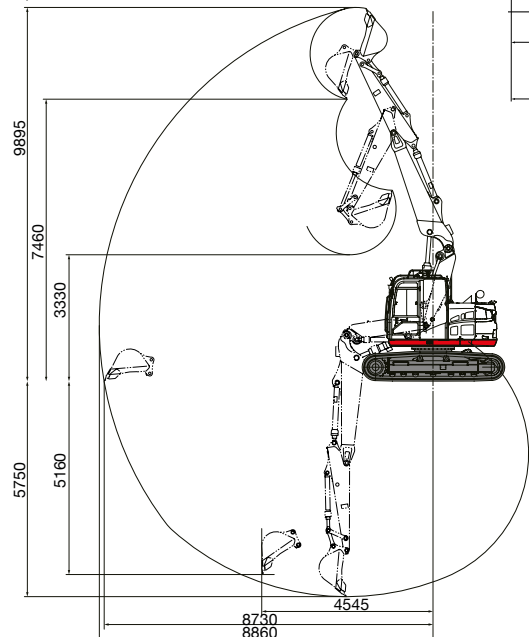
## Mono Boom: Long-Arm / Middle-Arm



All measurements are in mm.  
Long-Arm / Middle-Arm / (2-piece boom)



## 2-piece Boom with a Middle-Arm

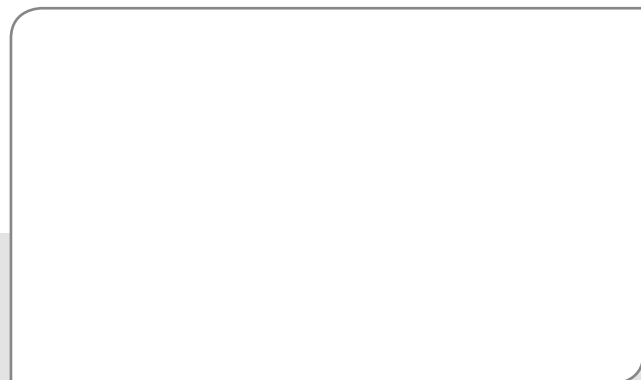


## TB2150R

Standard UK Spec – Steel Tracks Long-Arm Mono Boom  
Options: - Middle-Arm Mono Boom / (2-piece Boom)

| Engine   |                       |
|--|-----------------------|
| Make   | DEUTZ                 |
| Model  | TCD3.6L4              |
| Rated Output (kW)                                    | 85 / 2000             |
| Maximum Torque (Nm)                                  | 460                   |
| Cylinders  | 4                     |
| Displacement (cc)                                    | 3621                  |
| Electrical System                                    | 24 volt               |
| Dimensions & Weight                                  |                       |
| Op. Weight kg (bucket, hitch, fuel)                  | 15710                 |
| Long-Arm / Middle-Arm / 2-piece                      | 15640 / (16270)       |
| Length (Transporting) (mm)                           | 7405                  |
| Long-Arm / Middle-Arm / 2-piece                      | 7470 / (7785)         |
| Width (mm)   | 2690                  |
| Height (mm)  | 2950                  |
| Ground Clearance (mm)                                | 445                   |
| Dozer Blade (W x H) (mm) optional                    | 2690 x 550            |
| Hydraulic System                                     |                       |
| Main System Pressure (bar)                           | 340                   |
| Pump Type  | Variable Displacement |
| 1st Auxiliary Maximum Flow (l/min) / Pressure (bar)  | 224 / 250             |
| *2nd Auxiliary Maximum Flow (l/min) / Pressure (bar) | 55 / 230              |
| Swing System   |                       |
| Slew Radius (mm)                                     | 1700                  |
| Slew Speed (rpm)                                     | 11                    |
| Slew Motor   | Piston                |
| Slew Brake   | Disc                  |
| Undercarriage  |                       |
| Traction Motor                                       | Variable Displacement |
| Traction Drive                                       | Epicyclic Gearing     |
| Traction Brake                                       | Disc                  |
| Track Width (mm)                                     | 700                   |
| Ground Contact Length (mm)                           | 3045                  |
| Ground Pressure (kpa)                                | 45.7 / 46.2 / (48.1)  |
| Travel Speed (k/ph) (steel)                          | 2.7/ 5.1              |
| Maximum Gradeability                                 | 35°                   |
| Capacities   |                       |
| Hydraulic System (l)                                 | 235                   |
| Fuel Tank (l)  | 221                   |
| Engine Lubrication (l)                               | 10                    |
| Cooling System (l)                                   | 27                    |

**For more information locally**  
call us direct, or contact:



| Operating Information                    | Long-Arm Standard | Middle-Arm Option | 2-piece Option |
|--|-------------------|-------------------|----------------|
| Max Digging Depth (mm)                   | 6060              | 5530              | 5750           |
| Max Dump Height (mm)                     | 7140              | 6815              | 7460           |
| Max Reach at Ground Level (mm)           | 8665              | 8195              | 8730           |
| Max Vertical Dig Depth (mm)              | 5545              | 5025              | 5160           |
| Max Bucket Digging Force (kN)            | 96.3              | 96.3              | 96.3           |
| Max Arm Digging Force (kN)               | 60.0              | 65.4              | 65.4           |
| Max Lift at Full Reach rear/front (daN)* | 2061              | 1976              | 1981           |
| Max Lift at Full Reach over side (daN)*  | 1285              | 1474              | 1269           |
| Max Lift rear/front/side (daN)*          | 5890              | 7935              | 7762           |

**OPTIONS:** rubber tracks, hitches, dozer, buckets sizes 450-1200mm digging, 1800mm ditch, hydraulic breaker TKB802-S.

09/2020

\*Lifting: the mass weight of slings / hitches / bucket to be deducted from the rated load to determine the net load that may be lifted.

Takeuchi machines come with a 2 year/2000 hours warranty as standard. Warranty exceptions to 1 year: fuel injection systems, electrical components, paint work and \*emission control items. (\*applicable models). Before fitment of a hydraulic attachment machine auxiliary pressure and flow should be accurately measured.

In accordance with our established policy of constant improvement, we reserve the right to amend these specifications at any time without notice. Photographs shown may feature non-standard equipment.

Takeuchi Mfg (UK) Ltd, Unit E2B Kingsway Business Park,  
John Boyd Dunlop Drive, Rochdale, Lancashire OL16 4NG  
Tel: 01706 657 722 Fax: 01706 657 744

Southern Depot at 20 Colthrop Business Park  
Colthrop Lane, Thatcham, Newbury, Berks RG19 4NB  
Tel: 01635 877 196 Fax: 01635 877 195

www.takeuchi-mfg.co.uk Email: sales@takeuchi-mfg.co.uk

**TAKEUCHI**  
Japanese for Reliability